

PART NAME

NEMA 4X ENCLOSURE

PART No.

PN-1326, PN-1326-C AND PN-1326-DG

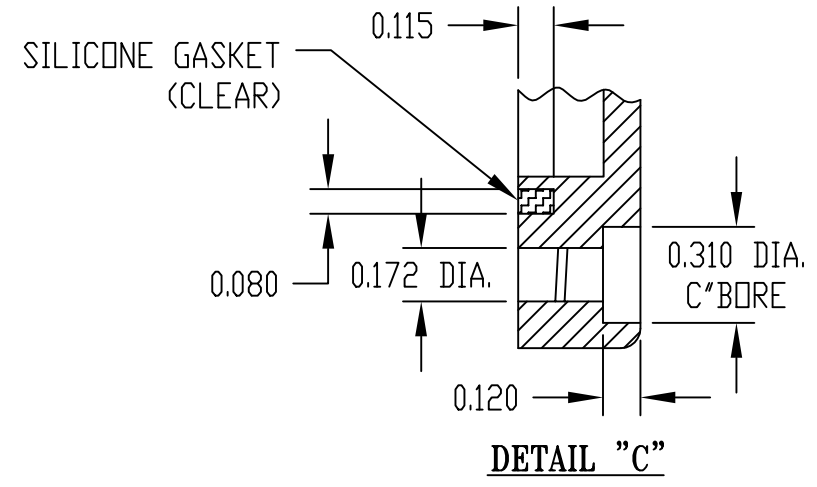
REV. DATE

11-17-08

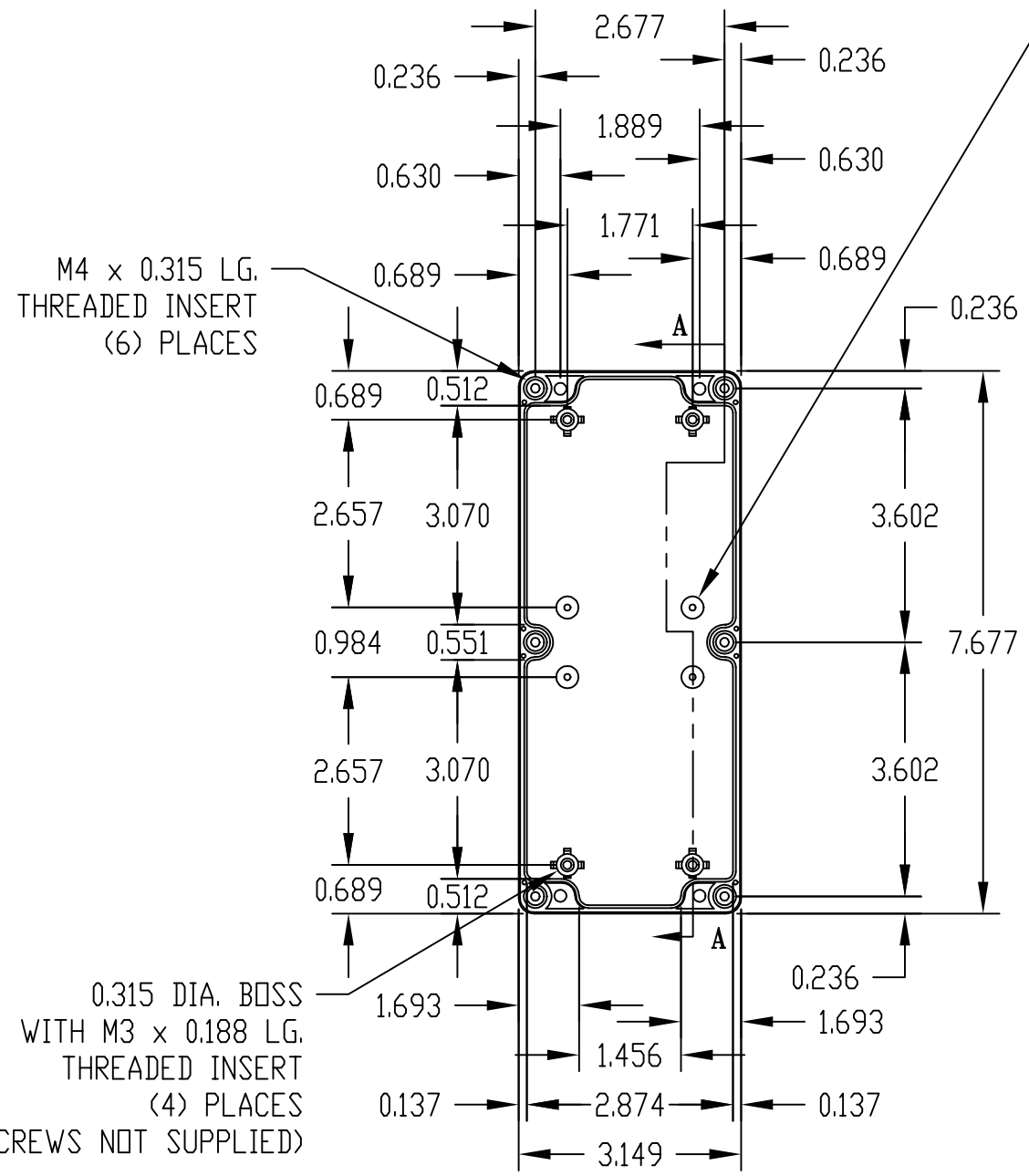
INDUSTRY STANDARDS:

POLYCARBONATE (LIGHT GRAY AND CLEAR)
 UL94-HB FLAMMABILITY RATING (UL FILE #E41613)
 UV STABILIZED
 SERVICE TEMPERATURE RANGE: -40°C TO +120°C

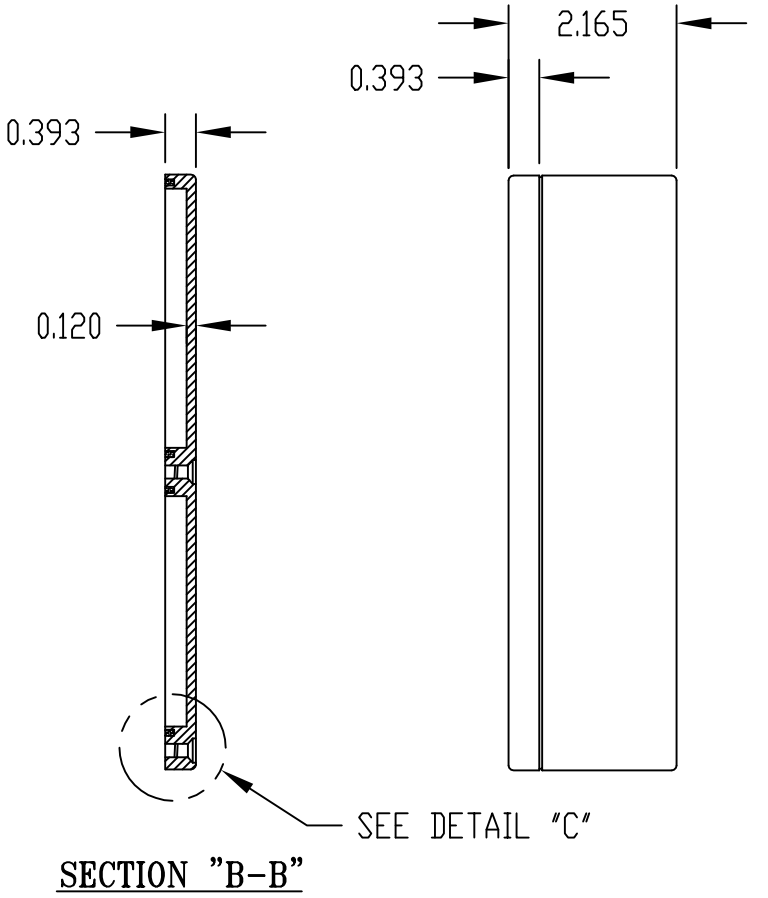
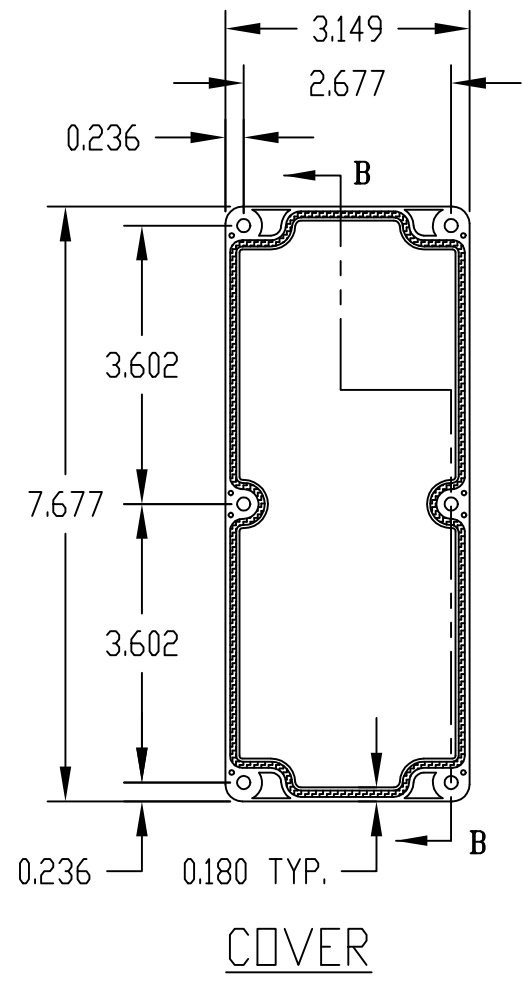
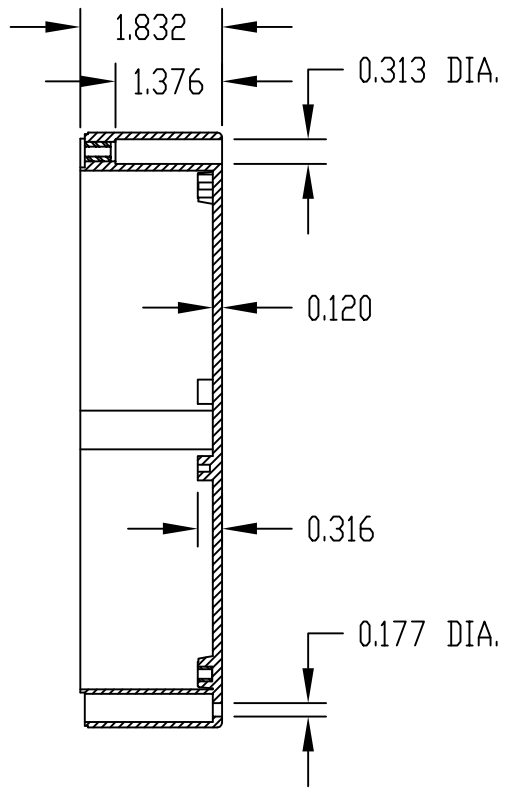
ABS (DARK GRAY)
 UL94-HB FLAMMABILITY RATING (UL FILE #E56070)
 SERVICE TEMPERATURE RANGE: -40°C TO +80°C



0.315 DIA. BOSS WITH
 0.090 DIA. HOLE x 0.160 DEEP
 (4) PLACES
 MOUNTING BOSSES USE EITHER M2.5 METRIC
 OR #4 STD. SHEET METAL SCREWS x 0.188 LG.
 (NOT SUPPLIED)



BODY



NOTE: ALL DIMENSIONS HAVE ±0.015 TOLERANCE UNLESS OTHERWISE SPECIFIED.

PART NUMBER	MATERIAL		FINISH		HARDWARE KIT
	BODY	COVER	BODY	COVER	
PN-1326	POLYCARBONATE		LIGHT GRAY		KIT CONTAINS (6) M4 x 20mm (0.787") LG. SCREWS FOR ASSEMBLY
PN-1326-C	POLYCARBONATE		LIGHT GRAY	CLEAR	
PN-1326-DG	HIGH-IMPACT ABS		DARK GRAY		